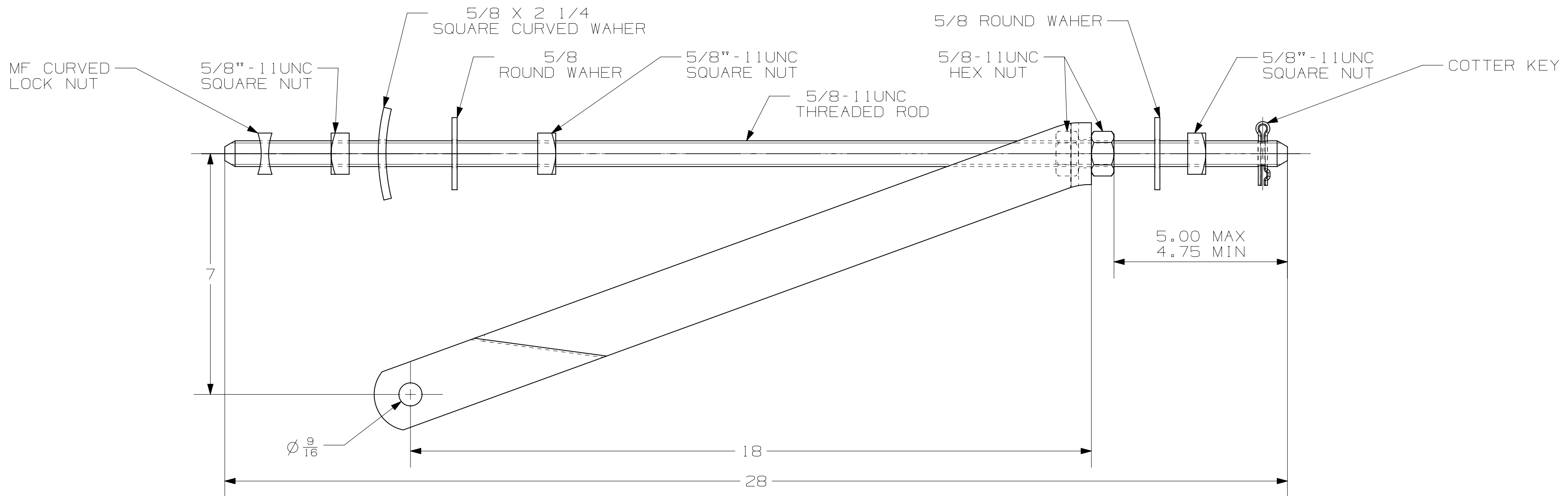
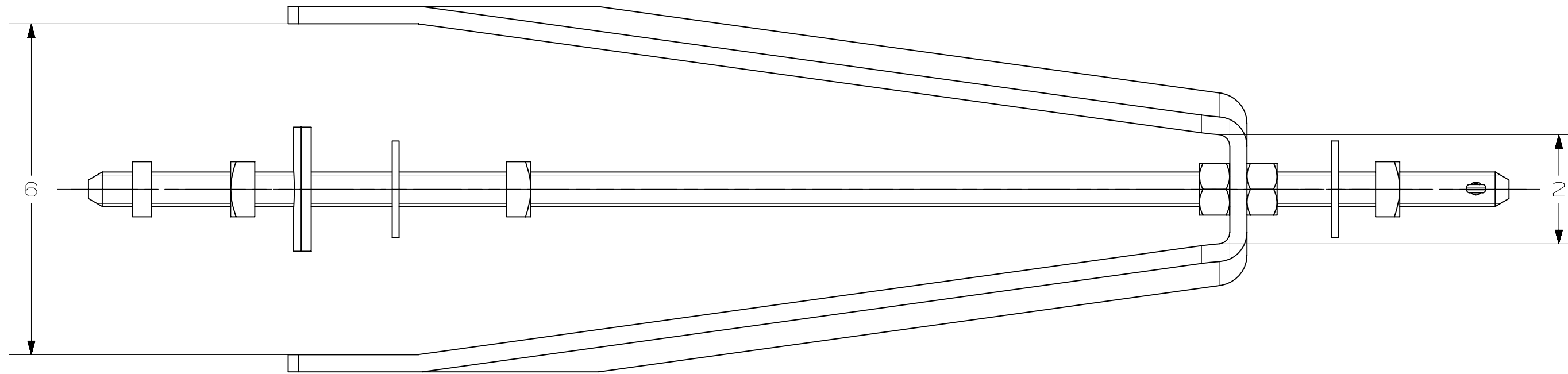
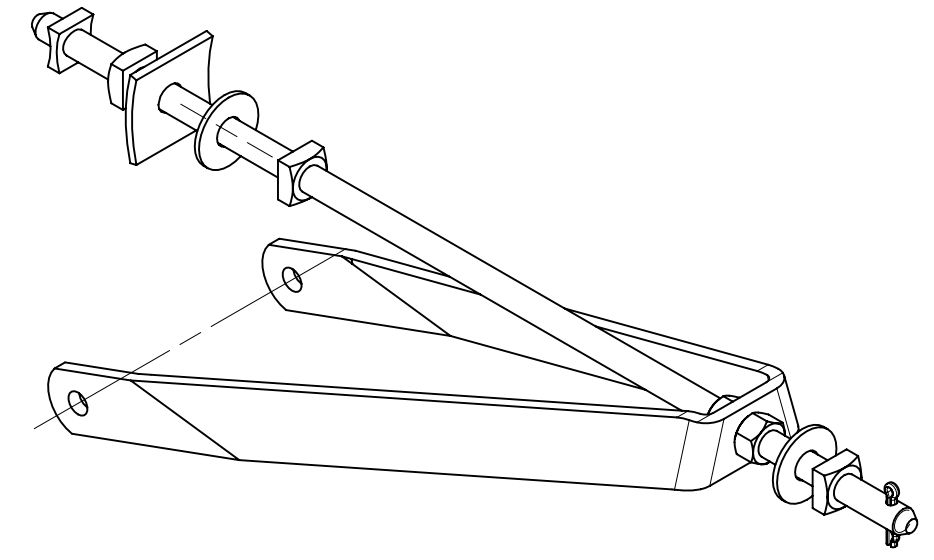


-NOTES-

1. MAT'L: AISI M1020 H.R. STEEL.  
ALT. MAT'L: ASTM A36 H.R. STEEL.
2. FINISH: HOT DIP GALVANIZE  
PER ASTM A153 (LATEST REV).



CATALOG NUMBER : C206-0004

LATEST EC NO:		REV.	DATE	CHANGED BY	RESP ENGINEER
61546		-	-----	-----	-----
DRN BY:		DATE	TITLE:		SIZE
BERGER		09-12-12	NEUTRAL OFFSET BRACKET		C
		DWG NO:		SAC206-0004	

CONFIDENTIAL: THIS DRAWING AND ITS CONTENTS ARE CONFIDENTIAL AND THE EXCLUSIVE PROPERTY OF HUBBELL POWER SYSTEMS, INC. NO PUBLICATION, DISTRIBUTION OR COPIES MAY BE MADE WITHOUT WRITTEN CONSENT BY HUBBELL POWER SYSTEMS, INC. © 2012 HUBBELL POWER SYSTEMS. UNPUBLISHED, ALL RIGHTS RESERVED UNDER THE COPYRIGHT LAWS